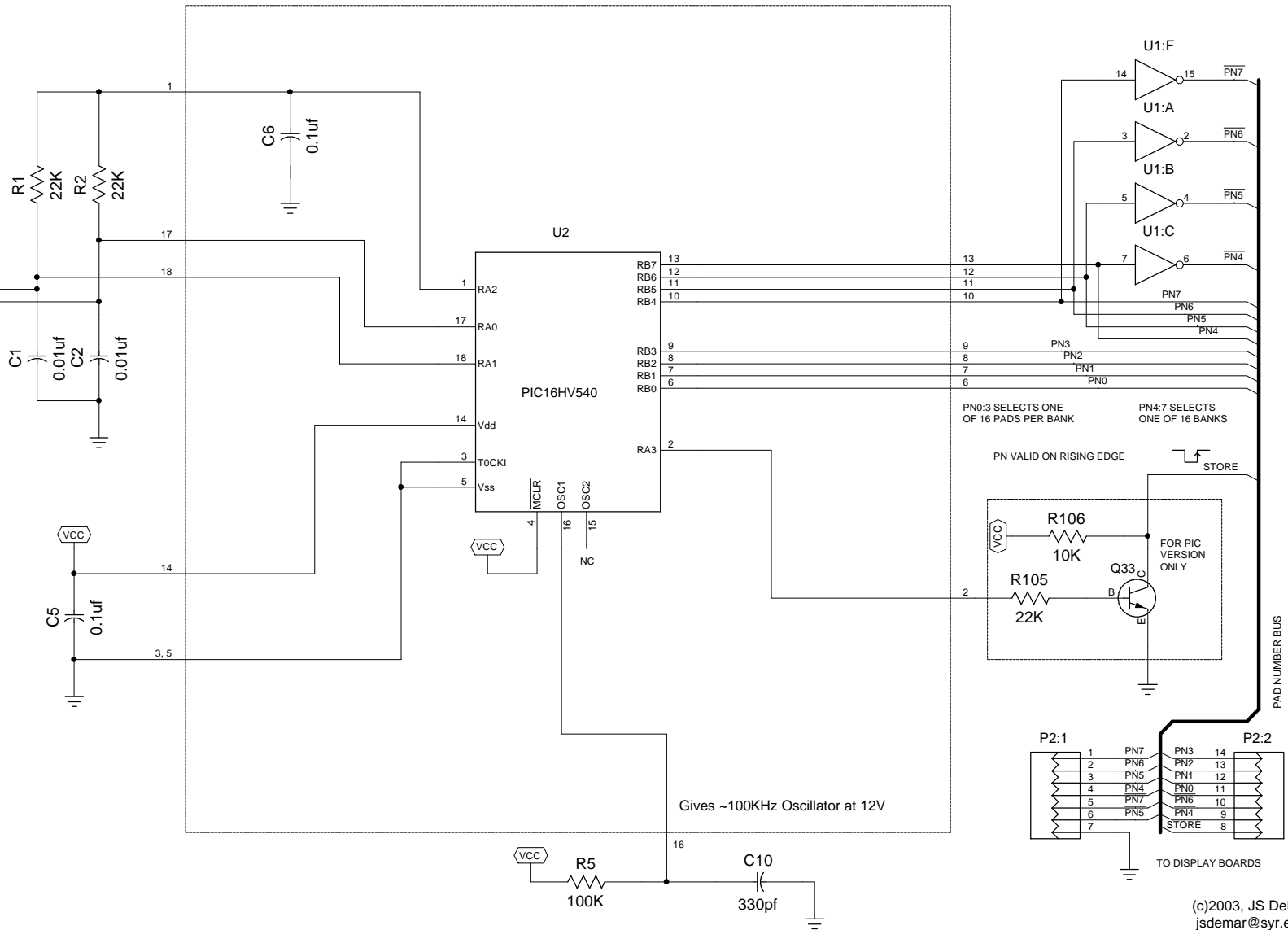
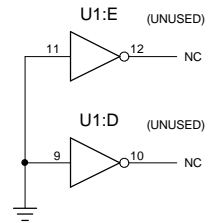
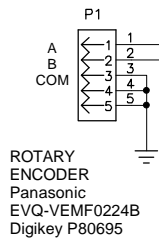
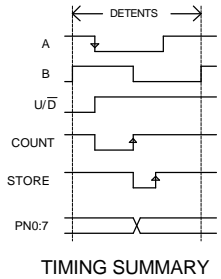


# LCS ENCODER / MASTER BOARD

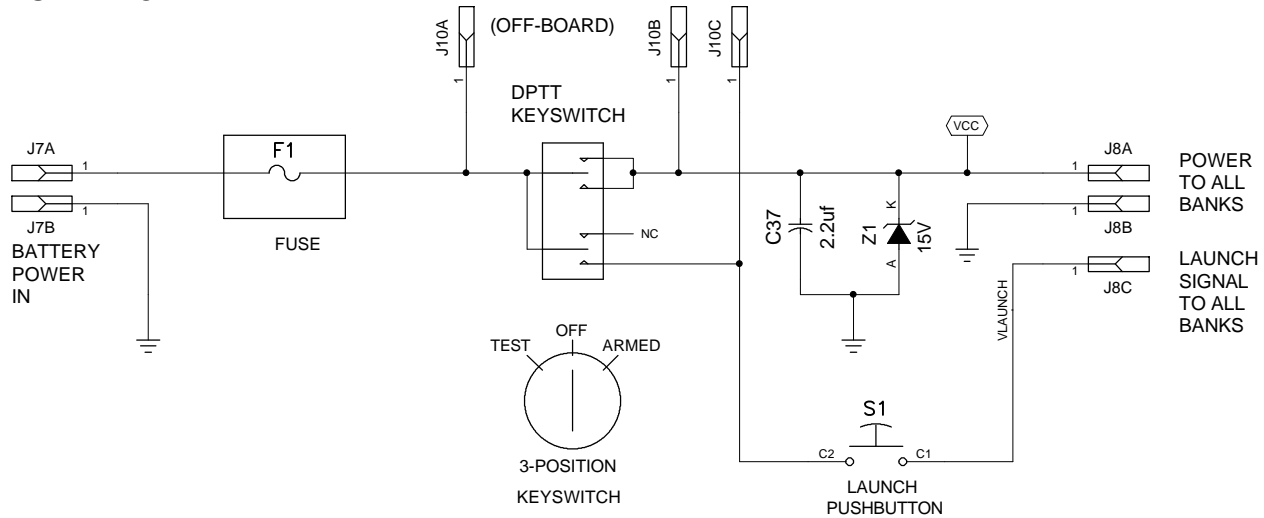
Rev. 01/05/2003  
 Added: C6  
 Changed: C10 to 330pf  
 Changed: C1, C2 to 0.01uf

PIC16HV540 REPLACES FIXED LOGIC



# LCS ENCODER / MASTER BOARD

Rev. 01/05/2003  
 Changed PIEZO to VCC  
 Changed R109 to 560



-- OR REPLACE WITH TWO SWITCHES:  
 ONE FOR OVERALL POWER (VCC) AND  
 ONE FOR ARMING POWER (VLAUNCH)

